



www.healthcraftproducts.com



# Invisia™ Corner Shelf

Installation Instructions:  
CS-CRP / CS-PCW

## THANK YOU...

Thank you for purchasing the Invisia™ Corner Shelf. We are confident that you will find the unique design and durable construction of this product to be of great assistance in your daily routine.

To fully enjoy your Invisia™ Corner Shelf, please take a few moments to read these instructions. You should store these instructions in a safe place for future reference.

## SAFETY CONSIDERATIONS

**CAUTION:** It is your responsibility to see that your Invisia™ Corner Shelf is properly assembled, installed, and cared for. Failure to follow instructions in this manual could result in serious injury. Support rails can be slippery when wet - use this product with caution.

## INVISIA™ CORNER SHELF INSTALLATION

The Invisia™ Corner Shelf should only be installed in areas where the mounting surface is structurally sound, in the corner between 2 walls that are relatively perpendicular to each other. Strengthening modifications may be required (see page 3 for details). Should not be installed in fiberglass / acrylic shower enclosures with insufficient stiffness and strength. Should not be installed into metal studs. If you are not equipped to undertake the outlined work we recommend that you have your Invisia™ Corner Shelf installed by a qualified contractor. Suggested maximum user weight of support rail is 350lbs/159kg, however this rating is conditional upon suitable fasteners and supporting surface. Tray is not a weight bearing surface.

## WARRANTY

All HealthCraft™ Products are covered by a one year limited warranty with the exception of hand grips which are subject to normal wear. Buyer hereby indemnifies, agrees to hold harmless and defend HealthCraft™ Products Inc. from and against any and all liabilities, claims, (founded and unfounded), losses, damages, costs and expenses (including without limitation consequential damages and reasonable professional fees) resulting from buyers specification, application, or improper use of goods described hereon; buyers omission or neglect.

HealthCraft™ Products Inc. does not assume any liability for damage resulting from services performed by others or faulty installation, misuse or misapplication of goods sold by HealthCraft™ Products Inc.

HealthCraft™ Products Inc. shall not be liable for prospective profits or special, indirect, or consequential damages, or for the cost of any corrective work done without HealthCraft™ Products Inc. prior approval. HealthCraft™ Products Inc. total liability hereunder shall in no event exceed the purchase price of the goods specified hereon.

## TOOLS REQUIRED

- Level / Stud Finder
- Personal Protective Eyewear
- Hammer
- Carbide tip drill suitable for tile
- Center Punch
- Protective blanket

## FASTENERS: INSTALLATION & MAINTENANCE

The Invisia™ Corner Shelf must be secured to the wall with fasteners appropriate to the structural material. Inspect, or have inspected (and tighten if necessary) the screws on a monthly basis. Included are 2 sets of mounting hardware for different wall applications.

FASTENER COMBINATION	STRUCTURE BEHIND WALL (Wall Surface: Tile on 1/2" min cement board)
#10 x 2" S/S Screw and Lock Washer	-Wood studs. -Adequate wood structural backing.
#10 x 2" S/S Bolt with SnapToggle® toggle bolts	-No aligning structural wood studs. -Suitably strong structural wall board.

For tile walls judged to be suitably strong, for moderate support weight bearing applications, you may choose to use the supplied SnapToggle® toggle bolts without reinforcing structural improvement. See **Figure 4** on Page 3 for more details.

If you are using fasteners other than the ones supplied, we do not recommend flat head style screws (i.e. a screw that requires a countersunk hole). We recommend stainless steel fasteners / lock washers (to prevent rusting). Also, residue from steel drill bits and other non-stainless steel tools may cause rust stains. Properly clean metal chips, debris etc. prior to exposing to water.

## TIPS FOR DRILLING INTO TILE

- Use carbide tipped masonry drill on ceramic, or consider a diamond tip drill for porcelain tile.
- If possible, drill a smaller pilot hole first.
- Be careful to prevent the drill from moving when you first start it rotating - use duct tape or a wood guide on the surface of the tile to hold the drill from walking sideways.
- A variable speed drill on slow is best to start the hole. Do not apply too much pressure when drilling. Do not use a hammer drill.

## WATERPROOFING

We recommend that sealant be applied around the wall contact points for any products mounted in the shower. If not properly sealed, there is the potential for water to seep into the wall. This may cause the wood to rot, thus compromising the structure the support rail is attached to.

## CORIAN: CLEANING AND MAINTENANCE

The Invisia™ Collection features several tray surfaces made from Dupont's Corian® material. It is a very durable, non-porous material that resists the growth of bacteria. Clean with general household cleaners. The surfaces & edges can be sanded and buffed to repair if necessary.

## MOUNTING LOCATION

We strongly recommend that you give some thought as to the optimal location of your Invisia™ Corner Shelf before installation. The following suggestions are offered for your consideration, however, it is recommended to consider advice from the appropriate healthcare professional for locating any support rail.

To determine the optimal location, we recommend holding the rail in place and walking through the motions of a transfer (sitting, standing, reaching, etc.). Consider the following when determining the optimal mounting location:

1. Move mounting location to match structure behind the wall.
2. Avoid electrical / plumbing behind the wall
3. Where possible, drill through tile - not through grout.

## RECOMMENDED INSTALLATION LOCATION

**Corner of Faucet Wall** - Typically 36-60" from floor as shown in **Figure 1**. If installing multiple Invisia™ Corner Shelves, ensure space between is adequate to place and remove items.

## INVISIA™ CORNER SHELF INSTALLATION

Place a blanket down in the area that you will be installing the Invisia™ Corner Shelf to protect the floor from parts that may fall during installation. The proposed mounting location must be cleaned prior to installation.

Refer to the fastener chart on page 1 to determine the size of hole required for the appropriate wall construction. **NOTE:** It may occur that one hole may be installed into a stud, and another installed with SnapToggle® toggle bolts.

**A1.** Hold the corner shelf against the walls. Adjust the corner shelf with a level until it is straight as shown in **Figure 2b**.

**A2.** Mark the screw hole locations on the wall.

**A3.** Use the wall plates as a locating guide and notch the tile with center punch as shown in **Figure 3**. **NOTE:** A light tap is all that is required for punch to make notch.

**A4.** Use the appropriate drill bit on the notched tile to drill a pilot hole for the fasteners. If SnapToggle® toggle bolts are to be used, please see the separate installation instructions. Continue with step A4.

**A5.** Fasten the Invisia™ Corner Shelf with the appropriate fastener for wall construction, lock washer and retaining washer & waterproof as shown in **Figure 4**.

**NOTE:** Perform a final tighten and inspection of all fasteners. Test the installation by vigorously pulling on the support handle of the Invisia™ Corner Shelf.

**A6.** Install the plastic snap caps to the plastic retainer washers to cover the screws.

**A7.** Place the tray on top of the Invisia™ Corner Shelf, pushing it against the corner. Install the rubber bumpers on the bottom of the tray, behind the bent metal bar as indicated by the **X** in **Figure 4**. These rubber bumpers will hold the tray in place.

Your Invisia™ Corner Shelf is now installed.

Figure 1.

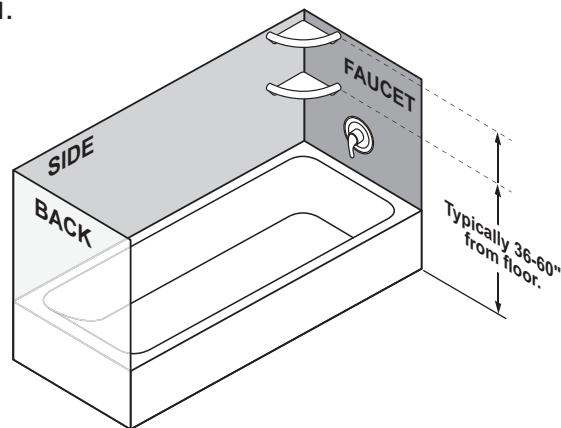


Figure 2a.

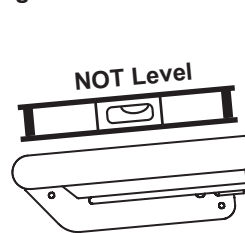


Figure 2b.

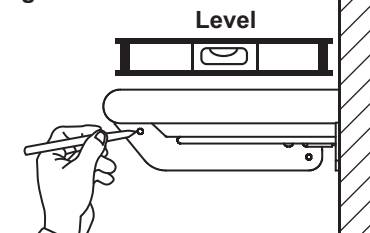


Figure 3.

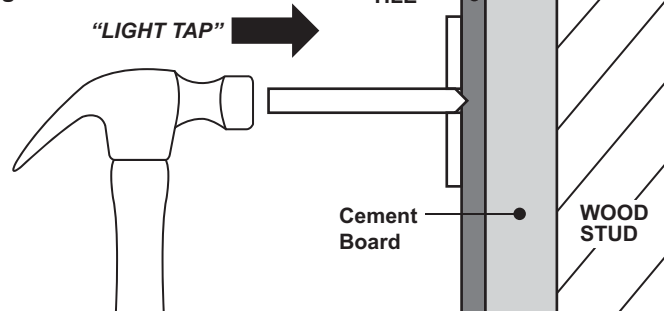
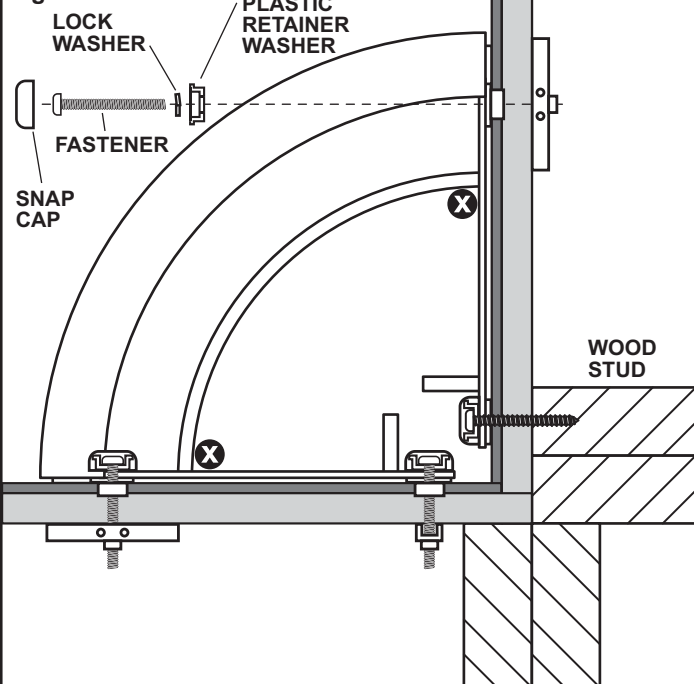


Figure 4.



## TIPS FOR LOCATING A WOOD STUD

- For drywall surfaces, use a stud sensor to locate a stud.
- For tile surfaces, try a stud sensor to locate a stud. If no stud is found, measure 16" from a perpendicular wall. Drill a small hole in the grout to ensure the stud has been found. If there is no stud at this location, bend a piece of wire in a "L" shape and insert it through the hole. Spin the wire to determine exactly where the stud is located and mark its location. Patch all holes with silicone to keep moisture out of the wall.
- If there is access to the backside of the bathroom wall (i.e. through a closet), measure the stud location and transfer the measurements into the bath area.

## STRUCTURAL REINFORCEMENT SUGGESTIONS

**NOTE:** Due to variances in local construction methods and materials used, details given below are suggestions only. Consult the appropriate local contractor for specific advice. For concrete walls, you may be able to install fasteners (such as a wedge anchor) directly into the concrete wall without modification.

If there is access to the backside of the bathroom wall (i.e. through a closet) and structural reinforcement is required, consider cutting a hole in this backside wall to allow access to the bathroom wall from behind (without having to remove / replace ceramic tiles).

1. Choose optimal mounting location of rail including height (H) and side to side location (L) as shown in **Figure 1**. Mark the height and location on the wall for future reference. **NOTE:** If accessing the bathroom wall from the backside, transfer the measurements for the support rail location to the backside wall as shown in **Figure 2**.

2. Find wall support studs & cut hole in wall board to expose wall studs as shown in **Figure 2**. Suggested hole size is height (A) of 18-24" (48-61cm) and width (B) corresponding to wall stud spacing. Expose half width of each stud to facilitate re-installation of wall board patch. **IMPORTANT: Avoid any utilities located in wall!**

3. Fabricate a support frame structure from suitable wood pieces as shown in **Figure 2**. Support frame width (D) should fit snugly within wall studs. Support frame height (E) should be from 24-32" (61-81cm) high or more, depending on material and stiffness of wall studs. Locate top cross member (F) to position in center of mounting holes when rail is located at the height (H). Hold the support rail against the support frame to confirm the cross members are in the correct location. Use a generous quantity of wood screws and glue to hold the support frame structure together as shown. See alternative to support frame as shown in **Figure 3**.

4. Insert support frame structure through hole in wall and secure uprights to wall studs using a generous amount of wood screws.

5. Complete the Invisia™ Corner Shelf installation instructions on Page 2. Then, patch the wall cutout (if backside access to bathroom, consider making an access panel for future servicing) to match the surrounding wall as shown in **Figure 4**.

Figure 1.

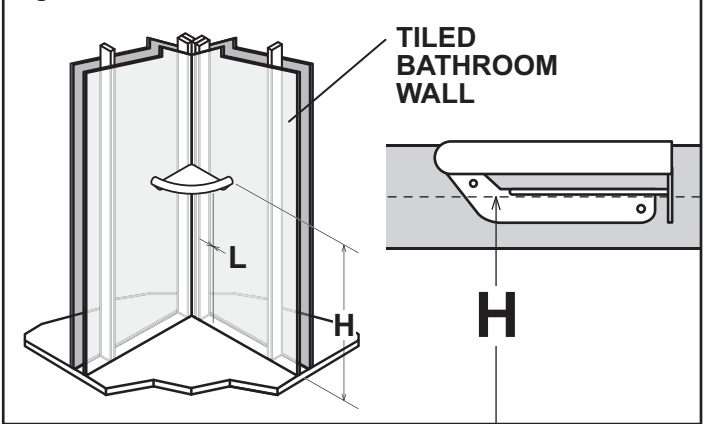


Figure 2a.

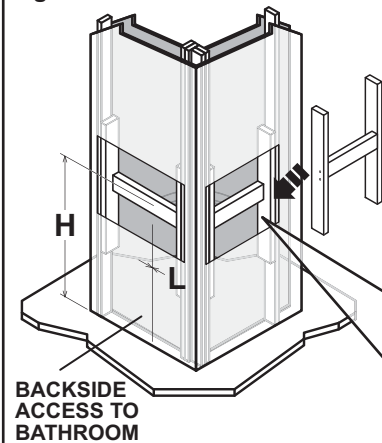
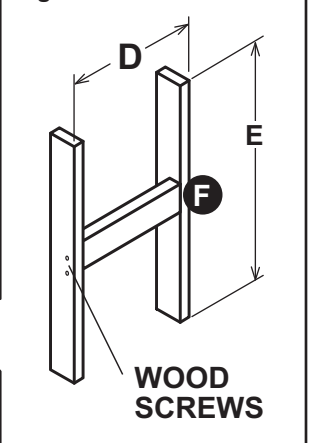


Figure 2b.



**FIGURE 3: ALTERNATIVE TO SUPPORT FRAME - MULTI-LAYER PLYWOOD INSIDE WALL WITH WALLBOARD PATCH (TOP VIEW)**

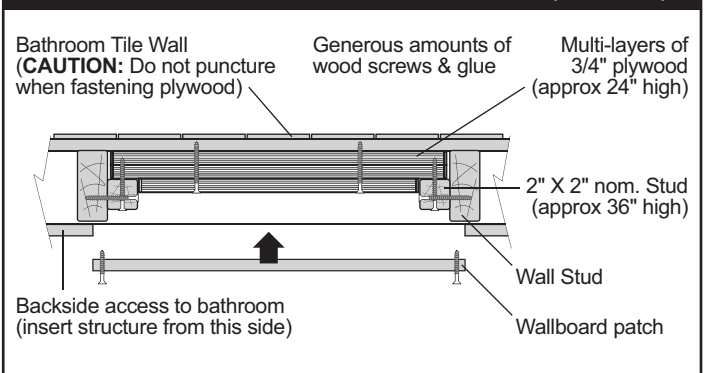
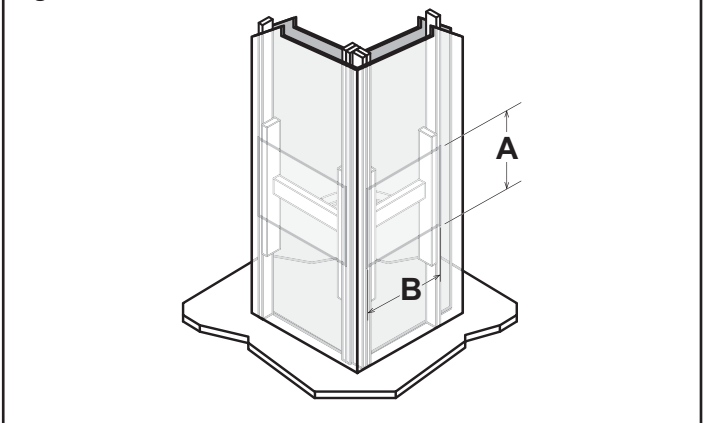
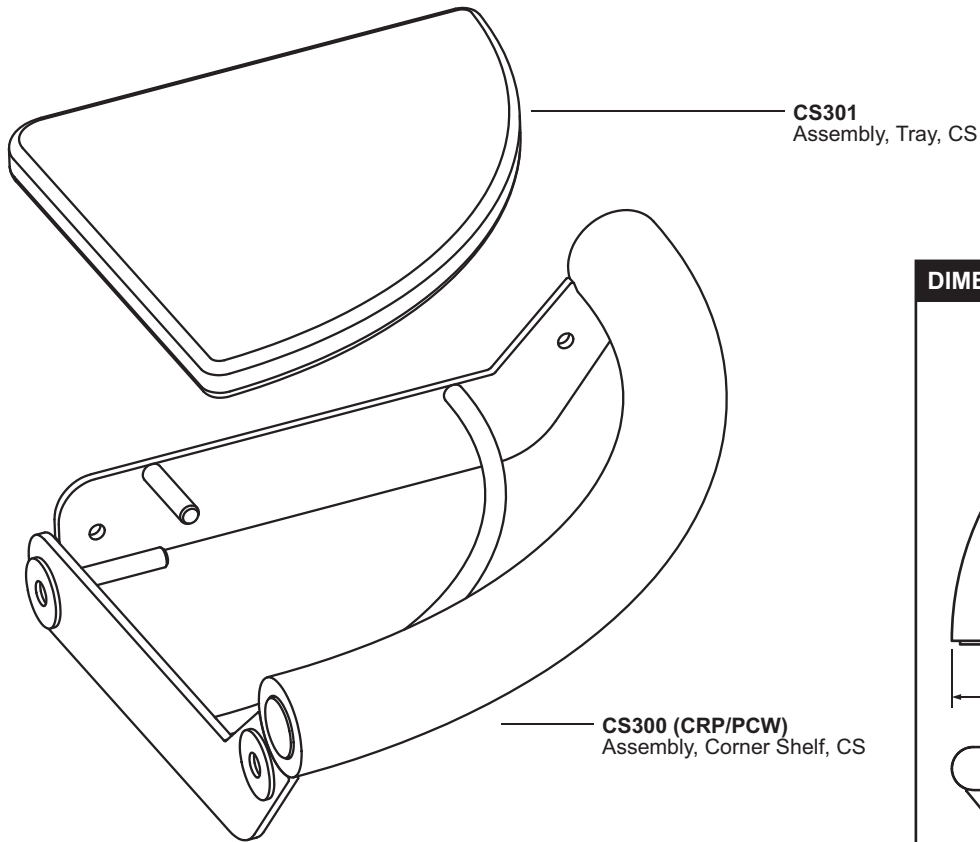


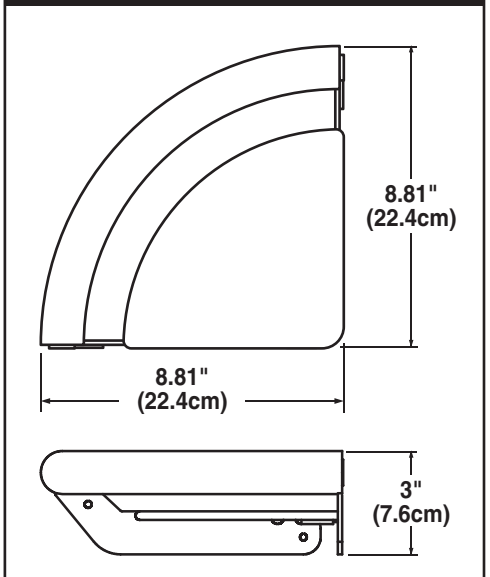
Figure 4.



**INVISIA™ CORNER SHELF**



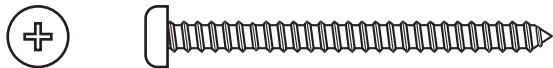
**DIMENSIONAL DRAWINGS**



**HARDWARE**

**HW173**  
Screw, PPH WS, #10-24 x 2", S/S

**x4**



**HW172**  
Screw, PPHMS, #10-24 x 2", S/S

**x4**



**HW121 / HW123**  
Cap, SnapCap, Chrome / White

**x4**



**HW122**  
Washer, Flat Bottom, SnapCap, 12/12-FB

**x4**



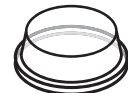
**HW177**  
Washer, Lock, Split, #10 18-8 S/S

**x4**



**HW505**  
Bumper, .78", Clear

**x2**



**HW225**  
SnapToggle® Toggle Bolts

**x4**

